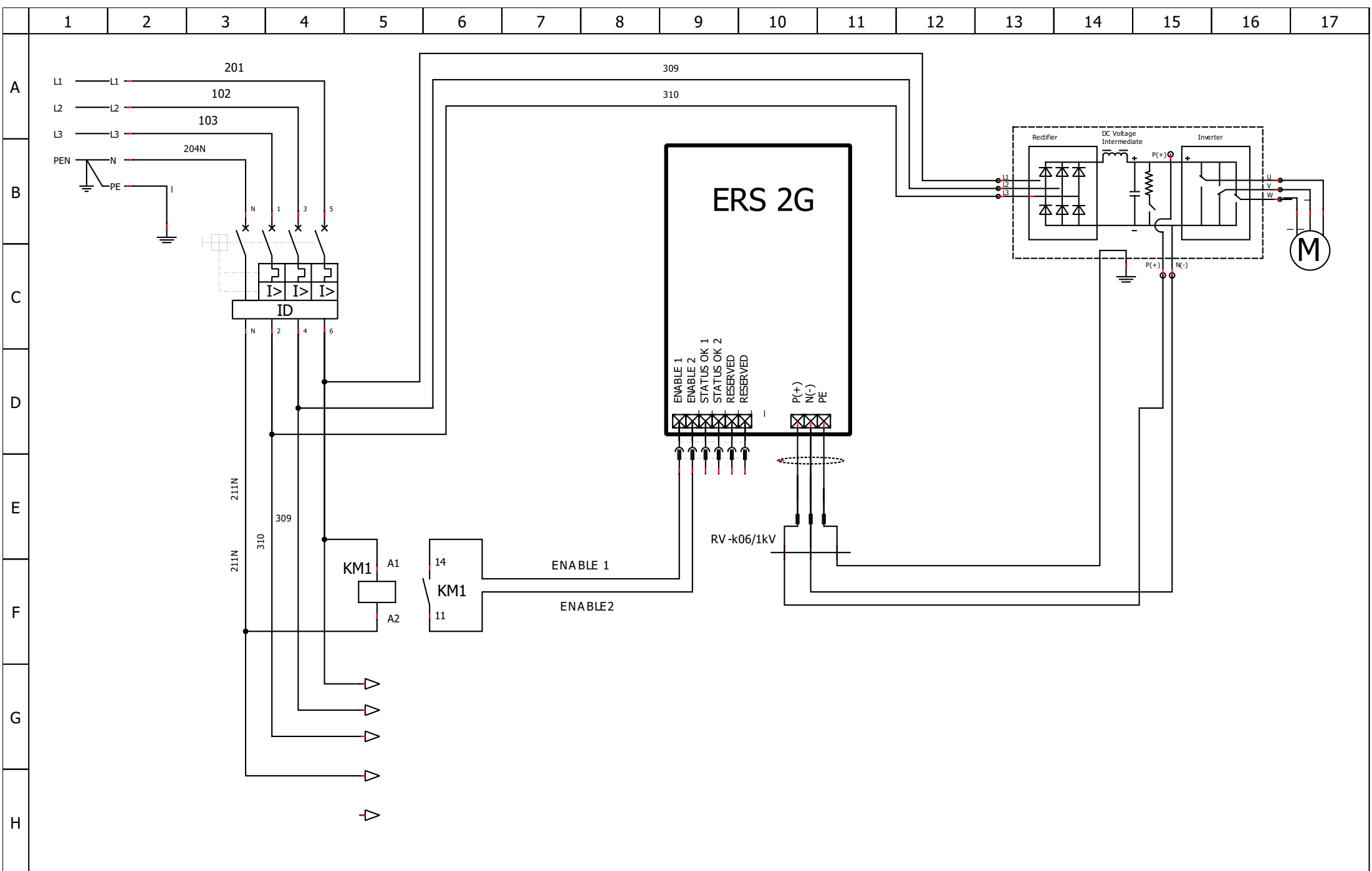
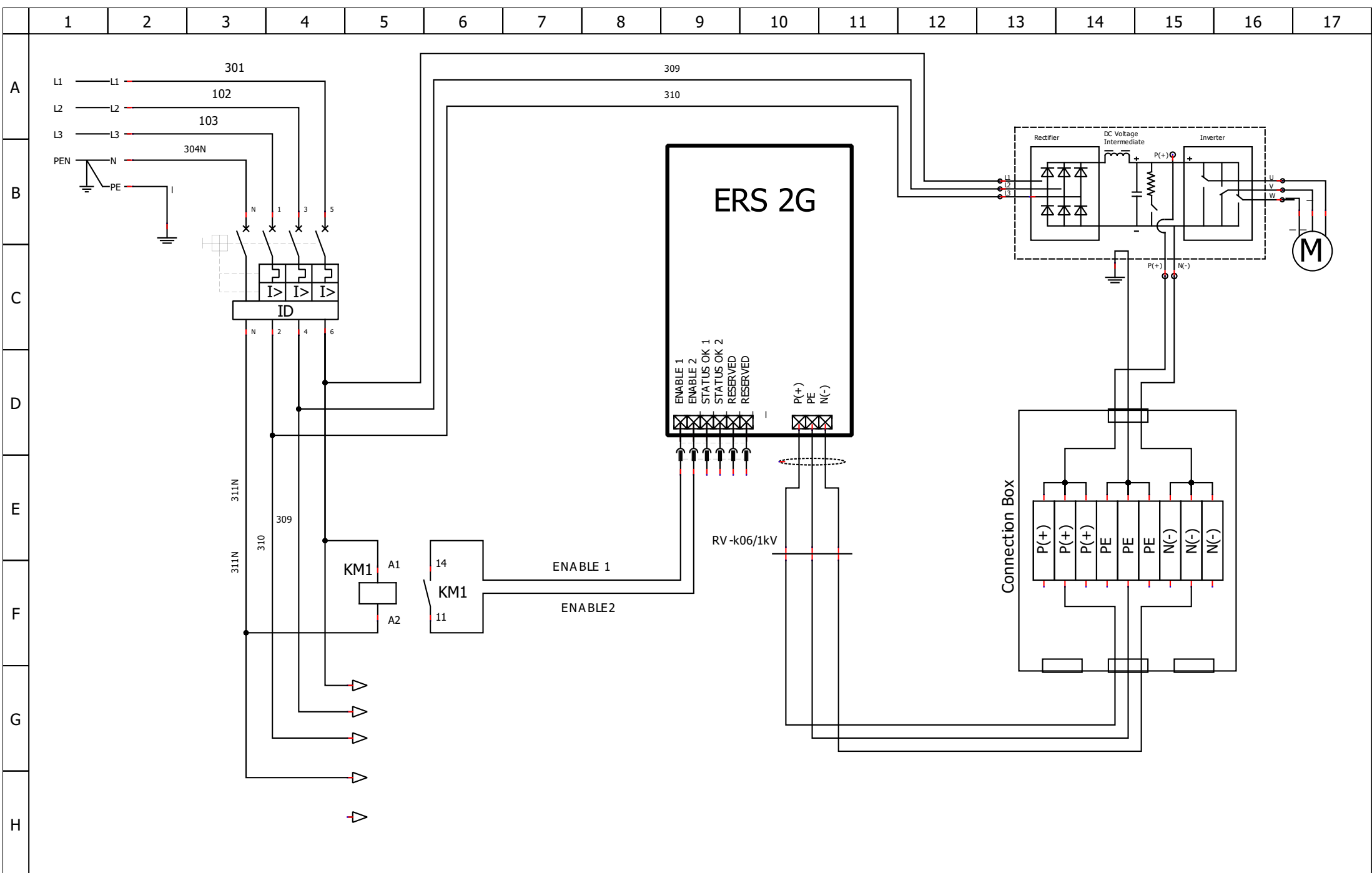
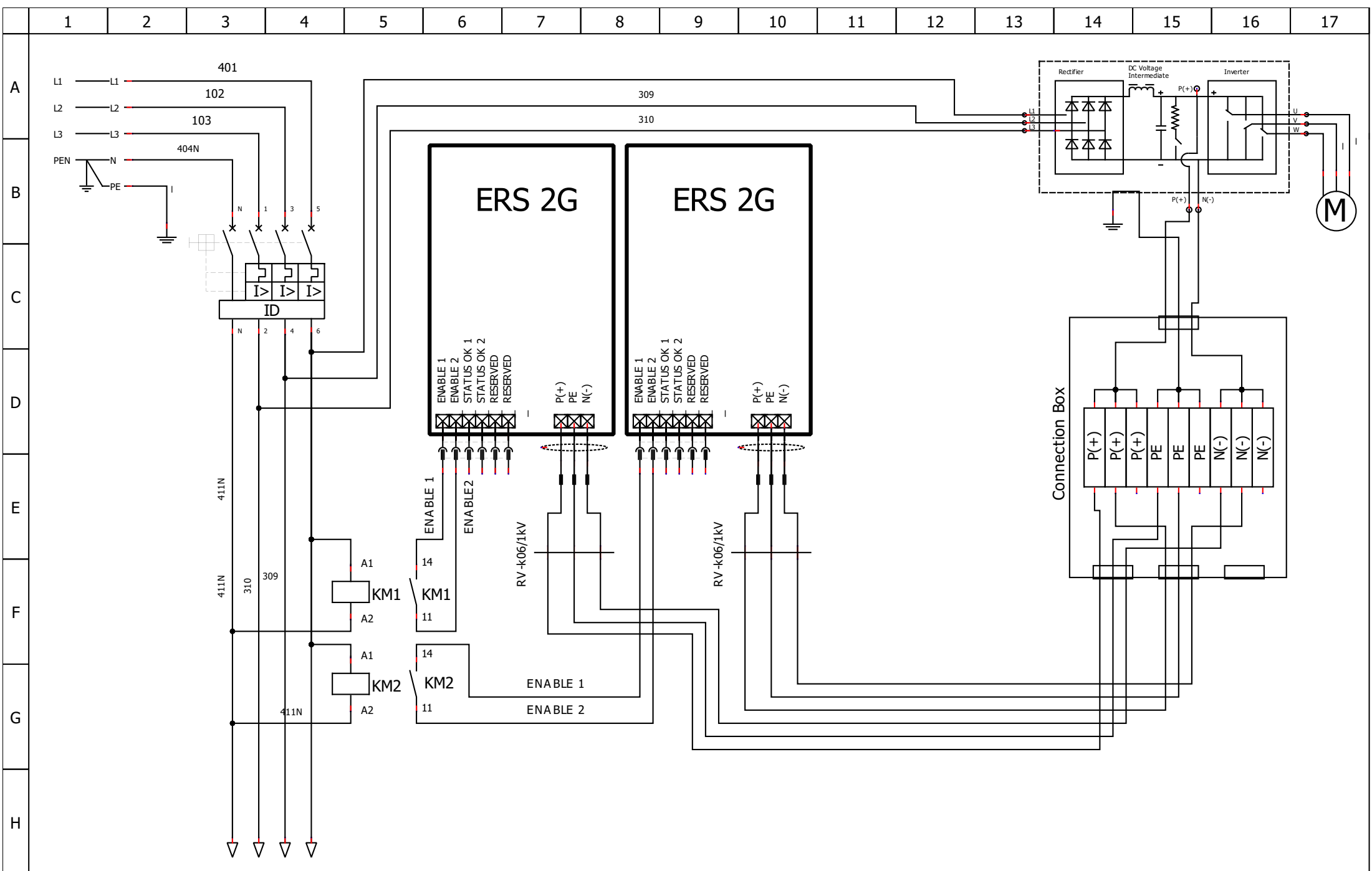
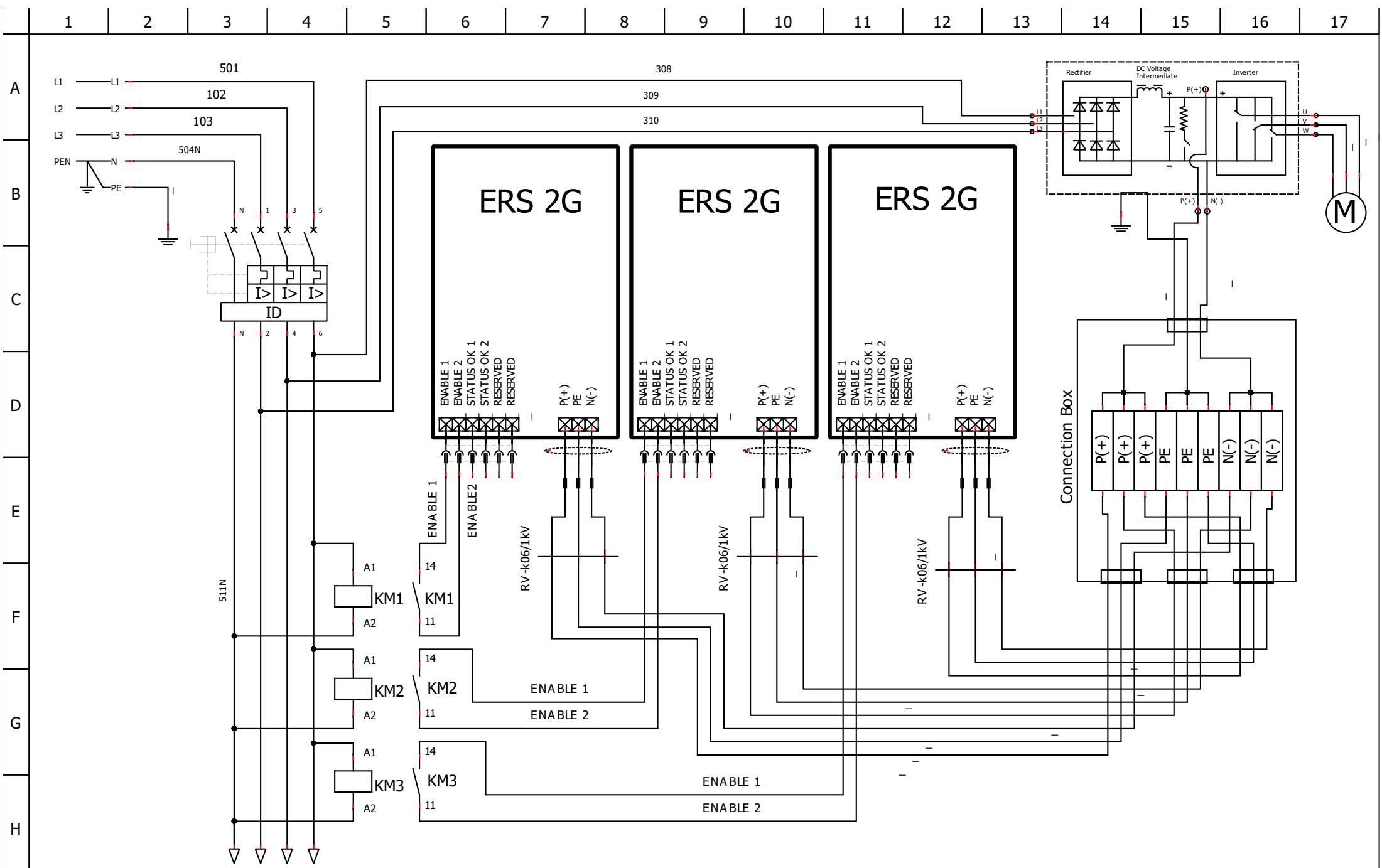


Folio	Titulo	Instalación	Localización	Rev	Autor	Fecha
1/6	Sheet's list				R&D Department	27/12/2019
2/6	ERS 2G - Power and Enable circuit conection				R&D Department	27/12/2019
3/6	ERS 2G - Power and Enable circuit conection with extension box				R&D Department	27/12/2019
4/6	ERS 2G - Power and Enable connection x 2				R&D Department	27/12/2019
5/6	ERS 2G - Power and Enable connection x 3				R&D Department	27/12/2019
6/6	Cableado				R&D Department	27/12/2019









A

B

C

D

E

F

G

H

